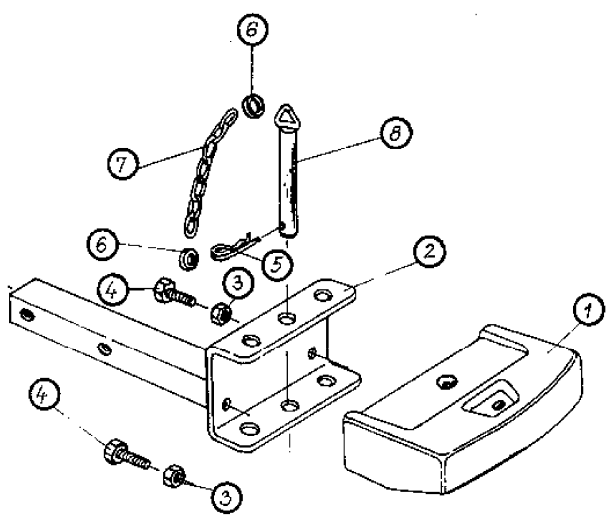
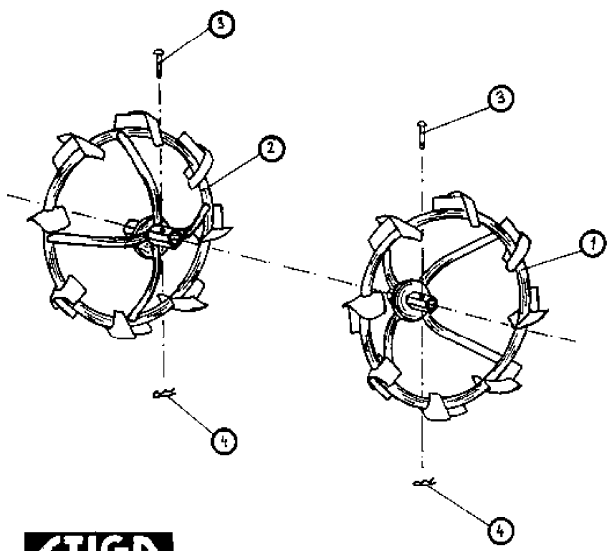


test



STIGA
341
SPARE PARTS

Section: PLOUGH 14-1958-11 IRON WHEELS 14-1954 FRONT WIEGHT 14-1959

Pos.	Quantity	Spare part No	Description	Kit	Notes	New
						1958 1954 1959
0	1	..14-1958-11	Plough assy			
1	1	1483-0229-01	Liner			
2	1	1483-0237-01	Handle bar			
3	1	1483-0235-01	Handle grip			
4	1	1483-0236-01	Limit setter			
5	2	9859-0625-16	Screw			
6	2	9683-0025-02	Lock washer			
7	2	9799-0631-02	Nut			
8	1	9997-0816-16	Screw			
9	1	1483-0227-01	Spring			
10	1	1483-0247-01	Support			
11	1	1483-0249-01	Turners support			
12	1	1483-0248-01	Plough			
13	2	9859-0616-16	Screw			
14	2	1483-0288-01	Spring			
15	2	9997-1250-16	Screw			
16	1	1483-0231-01	Adjuster base			
17	4	1483-0289-01	Shaft			
18	8	9650-0015-04	Lock ring			
19	1	1483-0228-01	Pin			
20	2	9598-0002-02	Pin lock			
21	1	1483-0234-01	Connecting tube-L.H			
22	1	1483-0290-01	Spring			
23	1	1483-0230-01	Connecting hitch			
24	2	9997-1245-12	Screw			
25	2	9799-1231-02	Nut			
26	1	1483-0233-01	Adjusting handle			
27	1	1483-0232-01	Connecting tube-R.H			
28	1	9997-0820-16	Screw			
29	1	9683-0030-02	Lock washer			
30	1	9799-0831-02	Nut			
31	2	9683-0025-02	Lock washer			
32	2	9799-0631-02	Nut			
33	4	1483-0251-01	Turner			
34	1	1483-0250-01	Turner			
35	1	9997-0830-16	Screw			
36	1	9683-0030-02	Lock washer			
37	1	9699-0028-02	Flat washer			
38	1	1483-0291-01	Leading support			
A00	1	..14-1954-11	Iron wheels assy			
A01	1	1483-0286-01	Wheel-R.H.			
A02	1	1483-0285-01	Wheel-L.H.			
A03	2	1483-0239-01	Pin			
A04	2	9598-0002-02	Pin lock			
B00		..14-1959-11	Front weight assy			
B01	1	1483-0322-01	Weight			
B02	1	1483-0287-01	Weight holder			
B03	2	9799-1031-02	Nut			
B04	2	9997-1035-16	Screw			
B05	1	1483-0199-01	Locking pin			
B06	2	1483-0198-01	Link			
B07	1	1483-0197-01	Chain			
B08	1	1483-0196-01	Pin			